



brush washer

Model: DP Wash

The machine is used for brushing, cleaning, and also prewashing root vegetables.

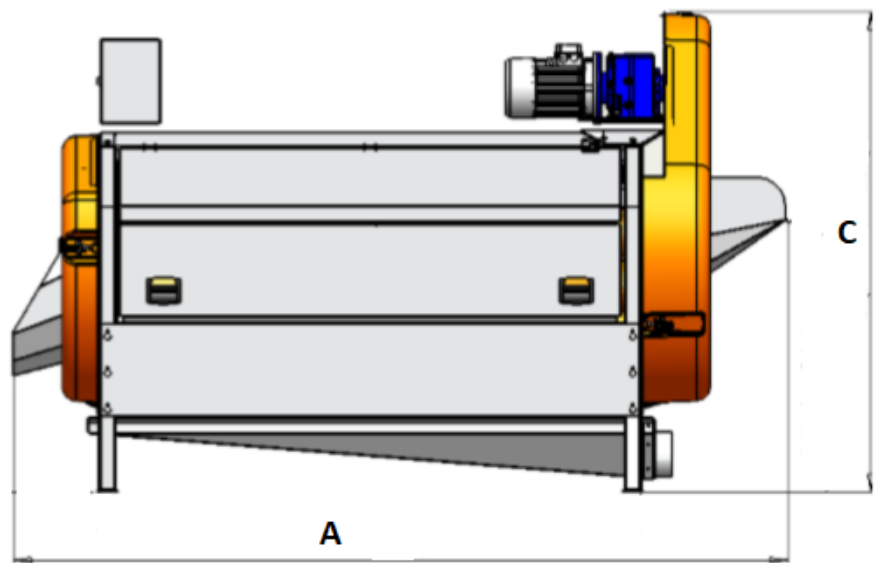
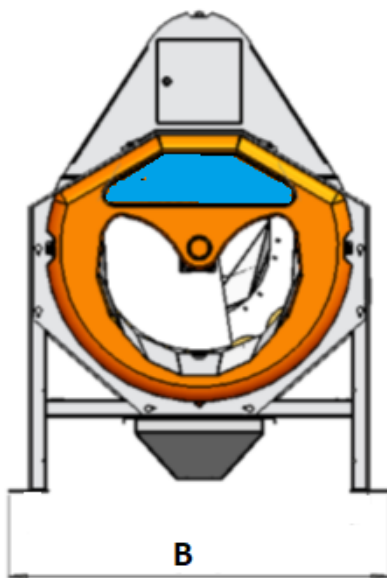




Processing of vegetables in a horizontal drum with a continuous flow of water. Perfect cleaning and washing of the product is performed by special cylindrical brushes. The machine occupies a small space and can be placed directly behind the drum washer, or at the expense of lower capacity can be used as an alternative to the cleaning machines.

The machine is equipped with an inverter for smooth adjustment of the rotational speed of brushes. There are two versions available: 7-brush

designed for washing round vegetables: celery, beet, etc. and 9-brush recommended for washing parsley, carrots etc. In both models the brush's active length is the same. The panel is equipped with a special lock that prevents the above-mentioned protective covers from being opened automatically and removing the front cover and the cover of the transmission belt. The brush washer is equipped with four pieces of adjustable feet / legs that allow you to adjust the machine's height and alignment.



Capacity, kg/h	1 500
A: length, mm	2 745
B: width, mm	1 350
C: height, mm	1 700
Weight, kg	1 100

NORMIT FOOD, s. r. o.
 Pezinská cesta 5104
 901 01 Malacky, SLOVAKIA

Skype:
 manager.normit

Telephone number:
 +421 902 400 321

E-mail:
 sales@normit.com

Web:
 www.normit.com